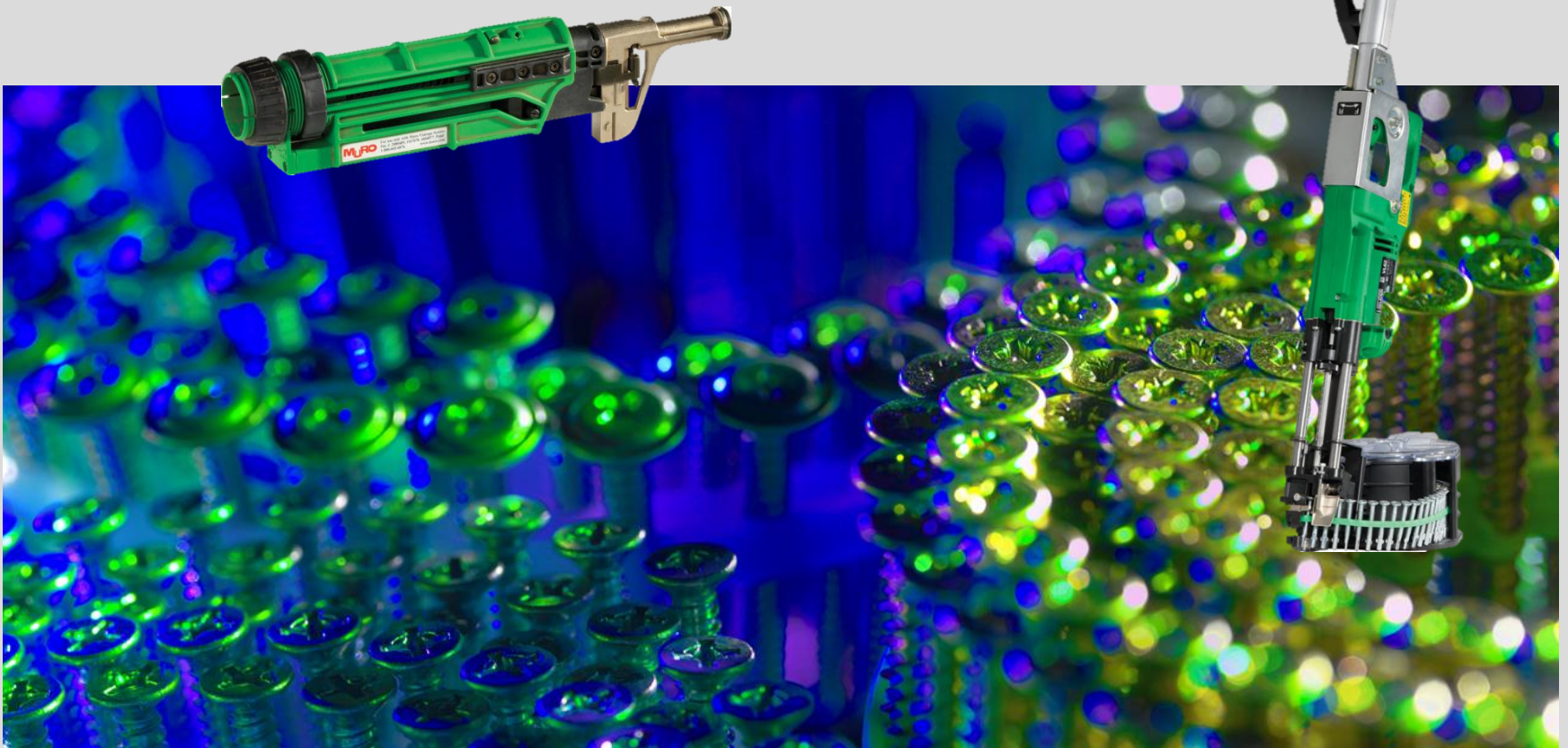
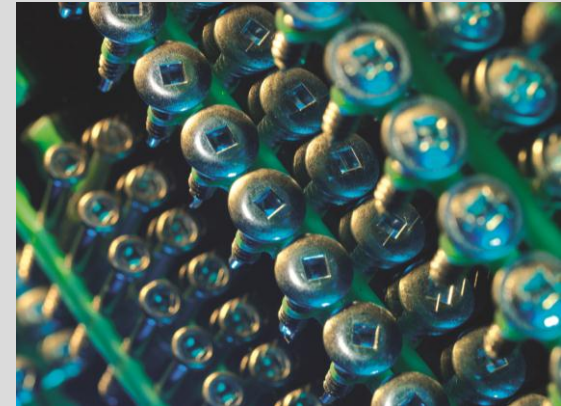
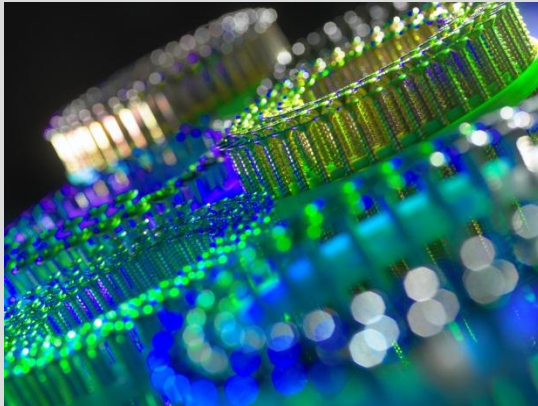


## Auto feed screw systems



## INTRODUCTION

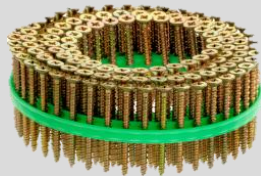
- Muro Corporation is established in 1953 in Japan
  - Supplying automotive parts
  - Electrical equipment
  - Aircraft equipment
  - Construction equipment
- In 1986 Muro developed the patented Vislider Auto Feed Screw Driving System



## Coil system overview

### Vislider Auto Feed Coil Screw Driving System

- Remove the requirement for pre drilling
- Load up to 150 collated screws
- Point and Press Precision application
- Increase productivity



## Coil system overview

- **Speed driver FDVL41**

Ideal tool to operate across a number of applications

Up to 5mm ø of screws

Up to 75 mm length of screws

### Features & Benefits

- RPM 2400/2900 – Higher speed motor for faster installation
- Adjustable depth control – perfect countersinking
- Stand up Operation to reduce fatigue
- Industrial strength

### Applications:



Flooring



Docks



## Coil system overview

- **VL62 Model EF – High speed (1700 RPM)**  
Developed for Fixing wood to steel up to 4mm ø  
Up to 6mm ø super wing screws, 75 mm length of screws
- **VL62 Model EF – High torque (1200 RPM)**  
Developed for Fixing wood to steel up to 6mm ø

### Features & Benefits

- Adjustable depth control – perfect countersinking
- Stand up Operation

### Applications:



Mezzanine flooring



Modular buildings



Truck & trailer



Docks(steel)



## Coil system overview

- **VL 71 Heavy duty**

Developed for the toughest timber to steel applications  
Up to 5mm ø of screws

### Features & Benefits

- RPM dependant on driver  
Variable speed motor for optimum drive speed
- Screws up to **100mm length**

### Applications:



Mezzanine flooring



Modular buildings



Truck & trailer



Docks



## Coil screws overview

### Wood screws

#### Features & Benefits

- Yellow Zinc Finish BZP for increased corrosion protection
- Twin thread for faster drive
- Positive drive & increase torque

#### Applications

- (Sub)Flooring
- General purpose timber construction

#### Item code

Square drive: CS.....

#### Recommended tool

FDVL41



## Coil screws overview

### Decking screws



#### Features & Benefits

- Stainless Steel for high level corrosion protection
- Coarse Thread for fast drive & strong hold
- T17 point to prevent the timber from splitting

#### Applications

- Exterior Timber to Timber fixing
- Decking
- Walkways, docks etc.

#### Item code

Square drive: CS... –T17

#### Recommended tool

FDVL41



## Coil screws overview

### Exotic Hardwood “Ejector” deck screws

#### Features & Benefits

- Stainless Steel for high level corrosion protection
- No pre-drilling; reduce time & increase productivity
- Reduced head for easier countersinking
- Special tip for drilling into timber

#### Applications

- Hardwoods
- Hi-density boards

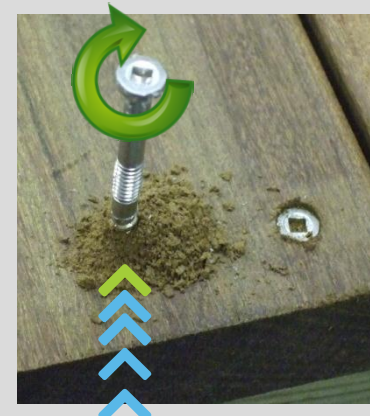
#### Item code

Square drive: TS....-EJ

Torx drive : TX.... EJ

#### Recommended tools

FDVL41, HDVL41, VL62



Fasten Ipe & others  
without pre-drilling

## Coil screws overview

### Shroom-Less decking screws

#### Features & Benefits

- Ideal for composite decking
- Reduces Flat head
- Two thread types to remove shrooming on surface
- Ceramic coating; different colours & protection

#### Applications

- Caravan access platforms
- Walkways

#### Item code

Torx drive: TX..

#### Recommended tools

- FDVL41, HD, FLVL41

Two Threads



Perfect finish for  
composite decking

## Coil screw overview

### Super Wing screws wood to steel or aluminium



#### Features & Benefits

- Self Drilling Tip for heavy gauge steel up to 6mm
- Wings for pilot holing the timber preventing the threads from biting
- Wings designed to snap off when they make contact with the steel

#### Applications

- Mezzanine floor systems
- Truck beds & commercial vehicles
- Modular construction-floors/wells

#### Item code

Square drive: RSM...

#### Recommended tool

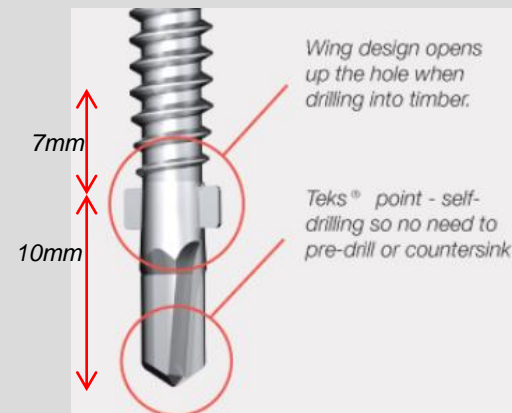
FL – HD - EF

## Coil screw overview

### Super Wing screws wood to steel or aluminium

Which length screw do you need?

Material thickness	.. mm
Length of drill tip + wings	10 mm
3 threads	<u>7 mm</u> +
Minimum screw length	

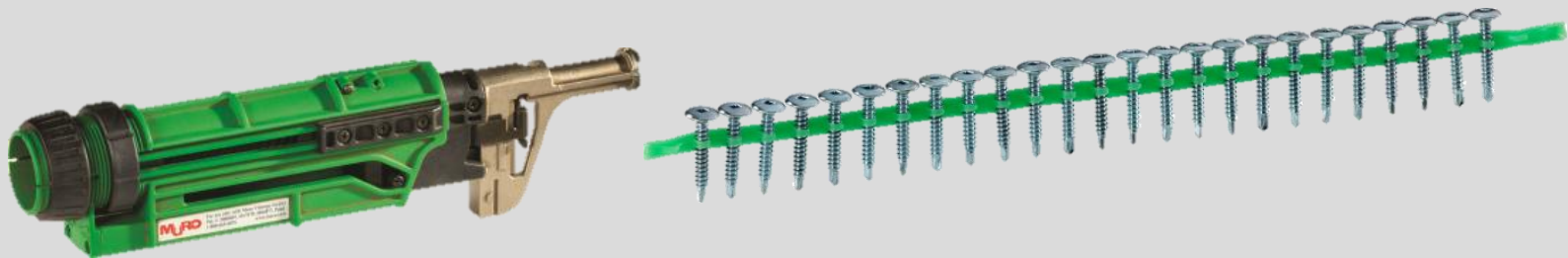


## Strip system overview

### Attachment auto feed strip driving system

**Convert your screw driver into a high-speed collated screwdriver system!**

- Reduce Labour and material cost
- Increased Productivity
- No more dropped or loose Screws
- Easy and cheap way to start working with collated screws



## Strip system overview

### Attachments

Ultra Driver



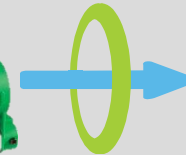
Easy Driver



Metal Pro Driver



### Adaptor



### Driver Unit



## Strip system overview

- **Ultra driver** – The timber to timber specialist

### CH7390 Versatile timber system

#### Features & Benefits

- Non mark nose piece
- General timber applications
- Wide range of screw sizes



### CH7392SFB Sub flooring specialist

#### Features & Benefits

- Short action for increased speed
- Non skid spike on the nose piece
- Short stroke specially designed for the sub floor market



## Strip system overview

**Easy Driver** – Light gauge steel and timber

### CH7241WU Timber and steel

#### Features & Benefits

- Non mark nose piece
- Sheet metal
- Cement board fixing
- Furniture timber applications
- Wide range of screw sizes
- Roofing





## Strip system overview

- **Metal Pro Drivers**

### CH7260 – Construction framing wood to steel

- 32-38mm
- Wafer Head screws
- Pancake head self drillers



### CH7263 – Construction framing wood to steel

- 19-25mm
- Similar range as CH7260 but in a smaller screw length

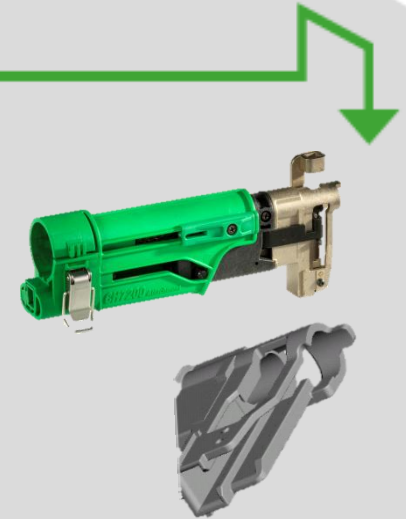


## Strip system overview

- **Metal Pro driver**

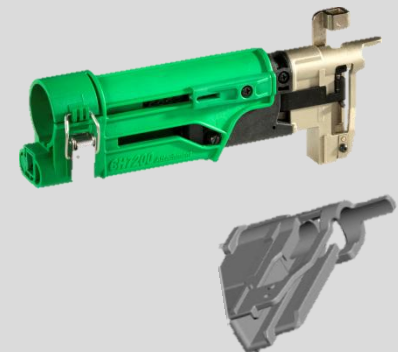
### **CH7264 Metal to metal**

- 19-25mm
- Hex head specialist tool
- Steel Framing applications



### **CH7265 Metal to metal**

- 32-38mm
- Hex head specialist with a higher clearance



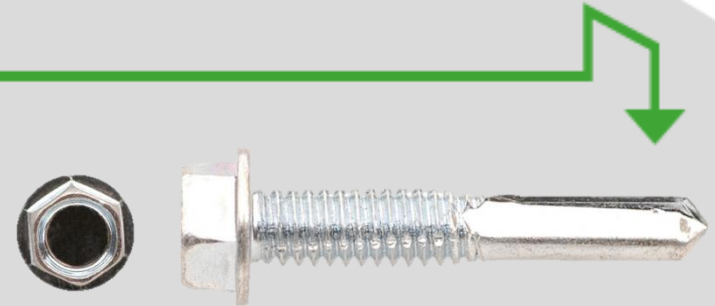
## Strip screw overview

### Hex head screws

Attachment: CH2764 – CH2765

#### Features & Benefits

- Hex head provides higher torque levels when driving
- Flange head provides very high pull through values
- Self drilling for steel applications



## Strip screw overview

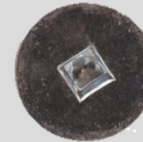
### Pancake Head Screw

- Light gauge Steel Framing
- Commercial vehicles, Trailers
- Roofing
- Smooth low profile head



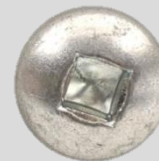
### Wafer Head Screws

- Ducting work
- Steel framing
- Almost flush finish



### Pan Head

- Head sits Flat on the surface
- Timber or Steel Fixing



## Strip screw overview

### Bugle Head screws

- Wood to light gauge steel
- Walling applications



### Exotic hard wood “Ejector” Screws

- Screw direct into hard wood with no pre drilling
- Stainless Steel



Fasten Ipe & others  
without pre-drilling

### Wood Screws

- Double thread – twice as fast
- Yellow zinc finish



## Application examples

- **Timber to Timber**

Structures

- Exterior Decking Systems
- Internal Flooring
- Commercial walk ways
- Docks
- Garden structures
- Furniture



- **Timber to Steel**

Structures

- Mezzanine Floor Systems
- Caravan industry
- Modular buildings
- Commercial trailers
- Commercial vehicles



## Application examples

- **Composite decking**

### Structures

- Decking systems
- Static caravan access platforms
- Commercial walk ways
- Docks



### Tools

- V Slider – EFVL26
- Attachments - CH7390, CH7392SFB

### Screws

- Shroom-less screws



## Application examples

- **Mezzanine**

Time saved on large projects pays for the screw investment!

Steel I Sections up to 7mm



Steel C Section up to 3mm



Surface Boarding 38mm





Thank you for your attention!

MURO for the toughest fastening applications

